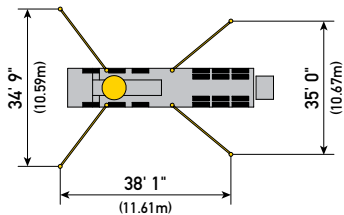
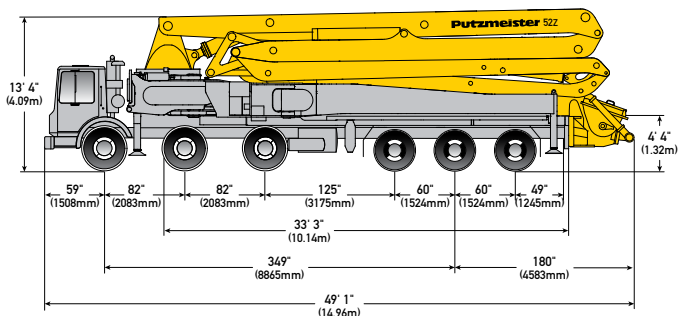


With One-Sided Support (OSS) 180°



# 52Z-METER | TRUCK-MOUNTED CONCRETE BOOM PUMP



## MODEL SPECIFICATIONS

Vertical reach	170' 7"	(51.99m)
Horizontal reach	157' 10"	(48.11m)
Reach from front of truck	147' 3"	(44.88m)
Reach depth	125' 0"	(38.10m)
Unfolding height	34' 1"	(10.39m)
Available pump cells		.16H, .18H LS
Front axle weight	55,638 lbs	(25,237kg)
Rear axle weight	51,552 lbs	(23,384kg)
Approximate total weight	107,190 lbs	(48,621kg)

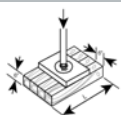
Based on Model MACK MRU 613 with .18H LS pump cell.

## BOOM | MULTI-Z DESIGN

1st section length	35' 5"	(10.80m)
2nd section length	30' 10"	(9.40m)
3rd section length	30' 10"	(9.40m)
4th section length	30' 10"	(9.40m)
5th section length	30' 6"	(9.30m)
Maximum end hose length	10' 0"	(3.00m)
Maximum end hose weight allowance	365 lbs	(166kg)

Please follow end hose weight guidelines listed in operational manual.

## OUTRIGGER LOADS | FRONT AND REAR



Front	76,435 lbf	(340 kN)
Rear	82,055 lbf	(365 kN)