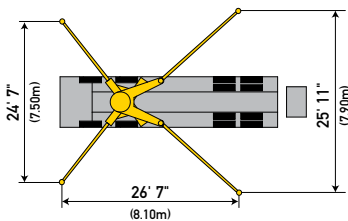
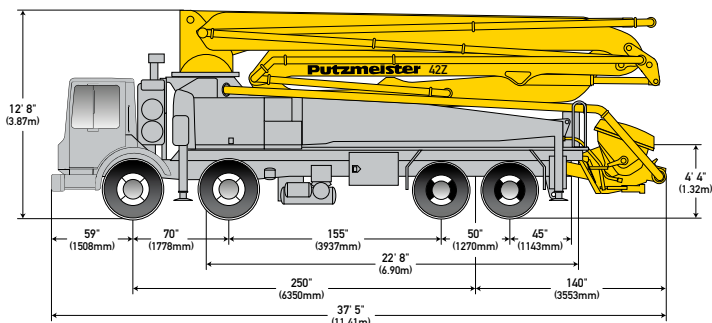


With One-Sided Support (OSS) 120°



42Z-METER | TRUCK-MOUNTED CONCRETE BOOM PUMP



MODEL SPECIFICATIONS

| | | |
|---------------------------|------------|---------------|
| Vertical reach | 136' 6" | (41.60m) |
| Horizontal reach | 122' 5" | (37.30m) |
| Reach from front of truck | 113' 2" | (34.50m) |
| Reach depth | 101' 8" | (31.00m) |
| Unfolding height | 28' 3" | (8.60m) |
| Available pump cells | | .16H, .18H LS |
| Front axle weight | 29,991 lbs | (13,604kg) |
| Rear axle weight | 36,274 lbs | (16,454kg) |
| Approximate total weight | 66,265 lbs | (30,058kg) |

Ergonic Pump System (EPS) is standard.

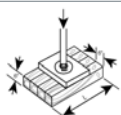
Based on Model MACK MRU 613 with .16H pump cell.

BOOM | Z-FOLD DESIGN

| | | |
|-----------------------------------|---------|---------|
| 1st section length | 24' 11" | (7.60m) |
| 2nd section length | 21' 0" | (6.40m) |
| 3rd section length | 23' 7" | (7.20m) |
| 4th section length | 26' 7" | (8.10m) |
| 5th section length | 27' 3" | (8.30m) |
| Maximum end hose length | 10' 0" | (3.00m) |
| Maximum end hose weight allowance | 365 lbs | (166kg) |

Please follow end hose weight guidelines listed in operational manual.

OUTRIGGER LOADS | FRONT AND REAR



| | | |
|-------|------------|----------|
| Front | 48,334 lbf | (215 kN) |
| Rear | 50,582 lbf | (225 kN) |