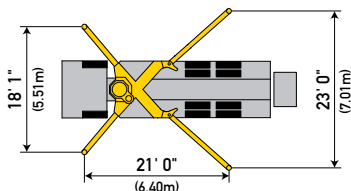
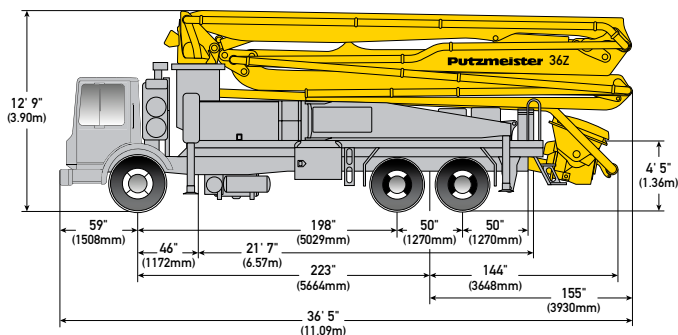


With One-Sided Support (OSS) 120°



36Z-METER | TRUCK-MOUNTED CONCRETE BOOM PUMP



MODEL SPECIFICATIONS

Vertical reach	116' 10"	(35.61m)
Horizontal reach	103' 0"	(31.39m)
Reach from front of truck	94' 10"	(28.91m)
Reach depth	78' 5"	(23.90m)
Unfolding height	27' 11"	(8.51m)
Available pump cell	.12H, .16H, .18H LS	
Front axle weight	18,164 lbs	(8,239kg)
Rear axle weight	33,966 lbs	(15,407kg)
Approximate total weight	52,130 lbs	(23,646kg)

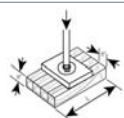
Ergonic Pump System (EPS) is standard.
Based on Model MACK MRU 613 with .16H pump cell.

BOOM | MULTI-Z DESIGN

1st section length	27' 11"	(8.51m)
2nd section length	24' 11"	(7.60m)
3rd section length	24' 11"	(7.60m)
4th section length	25' 11"	(7.90m)
Maximum end hose length	10' 0"	(3.00m)
Maximum end hose weight allowance	365 lbs	(166kg)

Please follow end hose weight guidelines listed in operational manual.

OUTRIGGER LOADS | FRONT AND REAR



Front	38,218 lbf	(170 kN)
Rear	38,218 lbf	(170 kN)