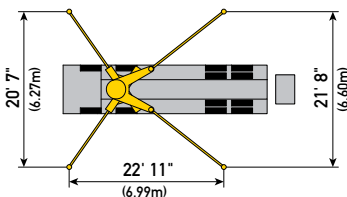
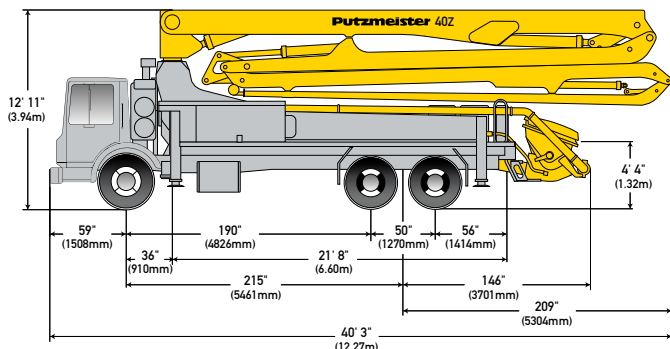


With One-Sided Support (OSS) 120°



# 40Z-METER | TRUCK-MOUNTED CONCRETE BOOM PUMP



## MODEL SPECIFICATIONS

Vertical reach	128' 3"	(39.10m)
Horizontal reach	115' 2"	(35.10m)
Reach from front of truck	107' 8"	(32.82m)
Reach depth	82' 0"	(25.00m)
Unfolding height	32' 10"	(10.01m)
Available pump cells		.12H, .16H
Front axle weight	18,760 lbs	(8,510kg)
Rear axle weight	38,470 lbs	(17,450kg)
Approximate total weight	57,230 lbs	(25,960kg)

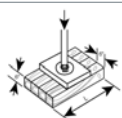
Ergonic Pump System (EPS) is standard.  
Based on Model MACK MRU 613 with .16H pump cell.

## BOOM | MULTI-Z DESIGN

1st section length	30' 10"	(9.40m)
2nd section length	27' 7"	(8.41m)
3rd section length	28' 8"	(8.74m)
4th section length	28' 1"	(8.56m)
Maximum end hose length	10' 0"	(3.00m)
Maximum end hose weight allowance	365 lbs	(166kg)

Please follow end hose weight guidelines listed in operational manual.

## OUTRIGGER LOADS | FRONT AND REAR



Front	41,590 lbf	(185 kN)
Rear	43,840 lbf	(195 kN)