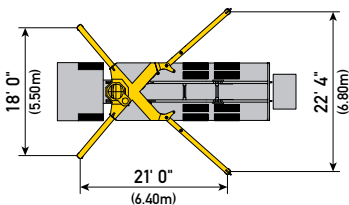
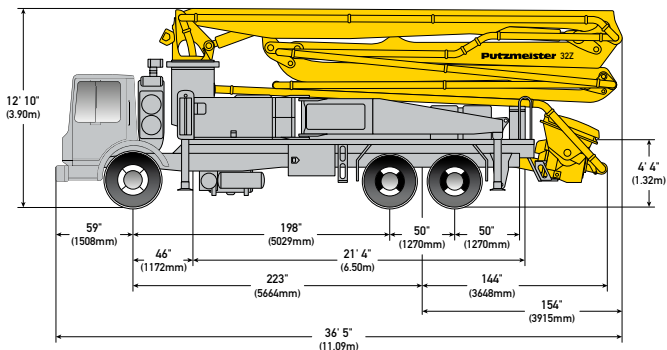


With One-Sided Support (OSS) 120°





MODEL SPECIFICATIONS

Vertical reach	106' 0"	(32.31m)
Horizontal reach	91' 10"	(27.99m)
Reach from front of truck	83' 8"	(25.50m)
Reach depth	67' 3"	(20.50m)
Unfolding height	24' 11"	(7.59m)
Available pump cells		.12H, .16H
Front axle weight	17,641 lbs	(8,002kg)
Rear axle weight	33,352 lbs	(15,128kg)
Approximate total weight	50,993 lbs	(23,130kg)

Ergonic Pump System (EPS) is standard.

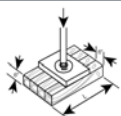
Based on Model MACK MRU 613 with .16H pump cell.

BOOM | MULTI-Z DESIGN

1st section length	27' 11"	(8.51m)
2nd section length	21' 8"	(6.60m)
3rd section length	21' 8"	(6.60m)
4th section length	21' 8"	(6.60m)
Maximum end hose length	10' 0"	(3.00m)
Maximum end hose weight allowance	365 lbs	(166kg)

Please follow end hose weight guidelines listed in operational manual.

OUTRIGGER LOADS | FRONT AND REAR



Front	31,473 lbf	(140 kN)
Rear	34,845 lbf	(155 kN)