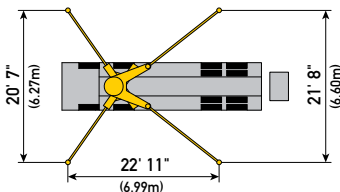
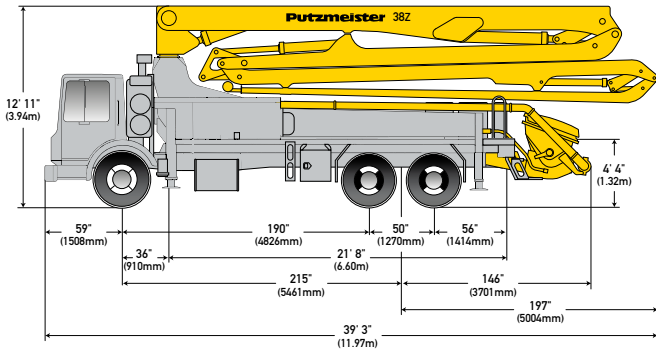


With One-Sided Support (OSS) 120°



38Z-METER | TRUCK-MOUNTED CONCRETE BOOM PUMP



MODEL SPECIFICATIONS

Vertical reach	121' 9"	(37.11m)
Horizontal reach	108' 7"	(33.10m)
Reach from front of truck	101' 1"	(30.81m)
Reach depth	80' 1"	(24.41m)
Unfolding height	28' 7"	(8.71m)
Available pump cells	.12H, .16H, .18H LS	
Front axle weight	19,400 lbs	(8,800kg)
Rear axle weight	37,400 lbs	(17,000kg)
Approximate total weight	56,800 lbs	(25,800kg)

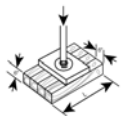
Ergonic Pump System (EPS) is standard.
Based on Model MACK MRU 613 with .16H pump cell.

BOOM | MULTI-Z DESIGN

1st section length	28' 6"	(8.69m)
2nd section length	25' 3"	(7.70m)
3rd section length	27' 7"	(8.41m)
4th section length	27' 3"	(8.31m)
Maximum end hose length	10' 0"	(3.00m)
Maximum end hose weight allowance	365 lbs	(166kg)

Please follow end hose weight guidelines listed in operational manual.

OUTRIGGER LOADS | FRONT AND REAR



Front	41,590 lbf	(185 kN)
Rear	43,840 lbf	(195 kN)