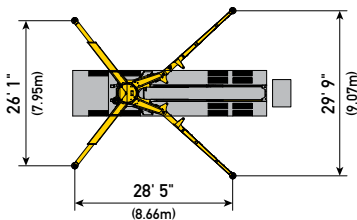
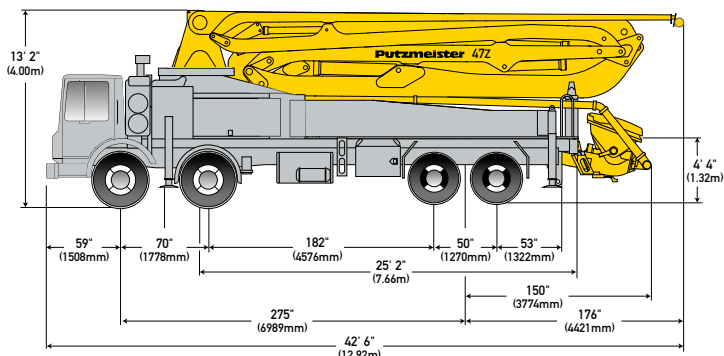


With One-Sided Support (OSS) 120°



47Z-METER | TRUCK-MOUNTED CONCRETE BOOM PUMP



MODEL SPECIFICATIONS

Vertical reach	151' 3"	(46.10m)
Horizontal reach	138' 1"	(42.09m)
Reach from front of truck	128' 2"	(39.07m)
Reach depth	105' 8"	(32.21m)
Unfolding height	31' 2"	(9.50m)
Available pump cells		.16H, .18H LS
Front axle weight	35,448 lbs	(16,079kg)
Rear axle weight	41,937 lbs	(19,022kg)
Approximate total weight	77,385 lbs	(35,102kg)

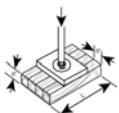
Ergonic Pump System (EPS) is standard.
Based on Model MACK MRU 613 with .16H pump cell.

BOOM | Z-FOLD DESIGN

1st section length	29' 2"	(8.89m)
2nd section length	25' 11"	(7.90m)
3rd section length	24' 7"	(7.49m)
4th section length	27' 3"	(8.31m)
5th section length	31' 2"	(9.50m)
Maximum end hose length	10' 0"	(3.00m)
Maximum end hose weight allowance	365 lbs	(166kg)

Please follow end hose weight guidelines listed in operational manual.

OUTRIGGER LOADS | FRONT AND REAR



Front	60,698 lbf	(270 kN)
Rear	59,574 lbf	(265 kN)