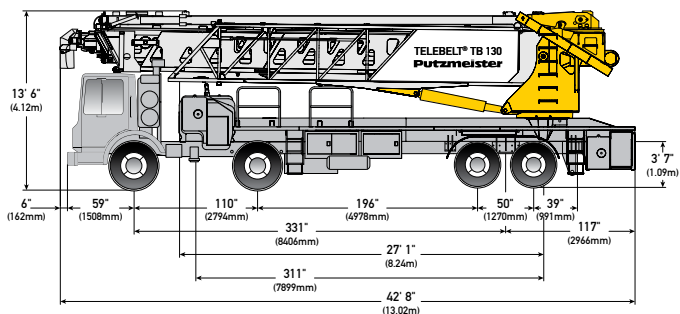


# TB 130 | TRUCK-MOUNTED TELESCOPIC BELT CONVEYOR



## BELT CONVEYOR | SPECIFICATIONS

### Conveyor horizontal reach

Maximum at 0°	126' 3"	(38.47m)
Maximum at 29°	110' 9"	(33.74m)

Conveyor belt width 18" (457mm)

Feed conveyor length 38' 0" (11.60m)

Feed conveyor belt width 18" (457mm)

Trunk/end hose length 15' 0" (4.57m)

### Discharge height from grade

Maximum at 29°	68' 3"	(20.81m)
Maximum at -15°	-25' 10"	(-7.86m)

### Main and feed conveyors

Observed capacity at 0°	5.00 yd <sup>3</sup> /min	(4.00m <sup>3</sup> /min)
Observed capacity at 20°	5.00 yd <sup>3</sup> /min	(4.00m <sup>3</sup> /min)

### Transport axle weights \*\* • †

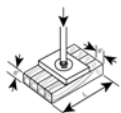
Steering	34,983 lbs	(15,866kg)
Tandem	43,308 lbs	(19,642kg)
Total	78,292 lbs	(35,508kg)

\*\* Truck dimensions will vary with different truck makes, models and specifications.

• Weights are approximate and include conveyor truck, fuel, driver and 100 gal (379L) of water.

† All specifications apply to units mounted on Mack MRU 613.

## OUTRIGGER LOADS | FRONT AND REAR



Front	37,320 lbf	(166 kN)
Rear	45,190 lbf	(201 kN)